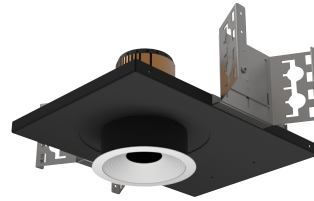


## 3" acrobat LED Baffle Downlight

### Non-IC New Construction Housing

Round or Square / Trimmed or Trimless



| Wattage | CCT   | Delivered Lumens | Efficacy |
|---------|-------|------------------|----------|
| 10W     | 3000K | 858lm            | 86lpw    |
| 15W     | 3000K | 1335lm           | 89lpw    |
| 20W     | 3000K | 1604lm           | 80lpw    |
| 25W     | 3000K | 1907lm           | 76lpw    |

Lumens will vary depending on CCT & optic

#### Description

- Acrobat downlight delivers over 1900lm through a 3" aperture with four optical distributions. Delivered lumens are maintained in different ceiling thicknesses.
- Drivers are accessible from below the ceiling.

#### Field Replaceable LED Light Engine

- 10W, 15W, 20W or 25W LED with 2 SDCM binning
- 2700K, 3000K, 3500K or 4000K at 90 CRI
- Field replaceable optics available in spot, narrow flood, flood or wide flood
- 50,000 hours at 70% lumen maintenance (L70)

#### Field Replaceable Dimming Driver

- Power factor > 0.9, 50/60Hz
- Multiple dimming drivers available
- Complies with IEEE62.41 surge protection

#### Housing

Non-IC rated housing must be kept a minimum of 3" from insulation. 18 gauge galvanized steel housing and junction box with 1/2" trade size knockouts. Includes universal butterfly brackets to accommodate C-Channel, adjustable bar hangers, and EMT. C-Channel is recommended for T-bar ceilings and must be ordered separately. Adjustable wood joist bar hangers are included. Max. ambient temperature: 104°F (40°C)

#### Ceiling Thickness

- Accommodates ceiling thickness from 1/2" to 1-1/2" (Extended 2" collar available, must specify)
- Delivered lumens are maintained through entire range

#### Trim Style

- Die-cast aluminum baffle trim with powder coat finishes, consult factory for custom finishes
- Trimless mud plate and wood ceiling option available

#### Accessories

Accommodates (2) accessories, a media holder is required. Accessories are not compatible when used with lensed trim.

#### Emergency

Remote inverter operates for 90 minutes with remote test switch available, requires above ceiling access.

#### Listing/Warranty

- Patent pending
- Five (5) year limited warranty
- UL listed to US and Canadian standards for damp locations
- UL listed to US and Canadian standards for wet locations when used with lens



#### Housing Order Matrix (Example: A3-NC25S-R00-LCB-24)

| Type                     | Wattage   | Driver   | Aperture                                | Trim Style   | Rev       | Extended Collar  | Hanger Bar   |
|--------------------------|---|--|---|--|-----------|--|--|
| <b>A3-NC</b><br>(Non-IC) | <b>10</b> (10W)   | <b>S<sup>1</sup></b> (ERP, Universal Dim, Triac/ELV/0-10V 1% 120-277V) | <b>-R</b> (Round)<br><b>-S</b> (Square) | <b>(blank)</b> (Flanged)<br><b>TL</b> (Trimless)<br><b>WC</b> (Wood Ceiling) | <b>00</b> | <b>(blank)</b> (Standard 1-1/2")<br><b>-2</b> (Up to 2") | <b>(blank)</b><br>(Standard)<br><b>-LCB-24</b><br>(24" C-Channel)<br><b>-LCB-48</b><br>(48" C-Channel) |
|                          | <b>15</b> (15W)   | <b>L3</b> (Lutron Hi-lume® Fade-to-Black 1% 120-277V)                  |   |  |           |  |  |
|                          | <b>20</b> (20W)   | <b>EL1</b> (eldoLED DALI 1% 120-277V)                                  |   |  |           |  |  |
|                          | <b>25</b> (25W)   | <b>EL2</b> (eldoLED 0-10V 1% 120-277V)                                 |   |  |           |  |  |
|                          |   | <b>DMX</b> (DMX 1% 120-277V)   |   |  |           |  |  |
|                          | <b>SR1<sup>1</sup></b> (Remote ERP, Universal Dim, Triac/ELV/0-10V 1% 120-277V) |  |   |  |           |  |  |

1. Forward and reverse phase dimming at 120V only  
All drivers are accessible from below the ceiling.

#### Trim Order Matrix (Example: A3-2RWH-WH2730-NL-00)

| Trim        | Aperture                              | Reflector Finish           | Flange Finish                     | CCT / CRI                  | Optic   | Lens Type  | Rev        |
|-------------|---------------------------------------|----------------------------|-----------------------------------|----------------------------|---|--|------------|
| <b>A3-2</b> | <b>R</b> (Round)<br><b>S</b> (Square) | <b>WH</b> (White)          | (blank) (Trimless / Wood Ceiling) | <b>27</b> (2700K / 90 CRI) | <b>10</b> (Spot)<br><b>30</b> (Narrow Flood)<br><b>50</b> (Flood)<br><b>80</b> (Wide Flood) | <b>-NL</b> (No Lens - damp location)<br><b>-FR</b> (Frosted - wet location)<br><b>-MP</b> (Solite - wet location)<br><b>-CL</b> (Clear - wet location) | <b>-00</b> |
|             |                                       | <b>BL</b> (Black)          | <b>-WH</b> (White)                | <b>30</b> (3000K / 90 CRI) |   |  |            |
|             |                                       | <b>SA</b> (Satin Aluminum) | <b>-BL</b> (Black)                | <b>35</b> (3500K / 90 CRI) |   |  |            |
|             |                                       | <b>BZ</b> (Bronze)         | <b>-SA</b> (Satin Aluminum)       | <b>40</b> (4000K / 90 CRI) |   |  |            |
|             |                                       |                            | <b>-BZ</b> (Bronze)               |                            |   |  |            |

#### Accessories (Note: Media holder required)

**A3-MHLDR** (Media Holder- required)  
**A3-HEX** (Hex Louver)  
**A3-FR** (Frosted Lens)  
**A3-MP** (Solite Lens)  
**A3-CL** (Clear Lens)  
**A3-LS** (Linear Spread Lens)

#### Optics

**A3-10-OPTIC** (10° Spot)  
**A3-30-OPTIC** (30° Narrow Flood)  
**A3-50-OPTIC** (50° Flood)  
**A3-80-OPTIC** (80° Wide Flood)

#### Emergency

**EM-1000** (25W LED Remote Inverter)  
**EM-1002** (10W LED Remote Emergency Driver)  
**EM-1003** (35W LED Remote Inverter)  
**EM-1004** (50W LED Remote Inverter)

# 3" acrobat LED Baffle Downlight

## Non-IC New Construction Housing

Round or Square / Trimmed or Trimless

Catalog #:

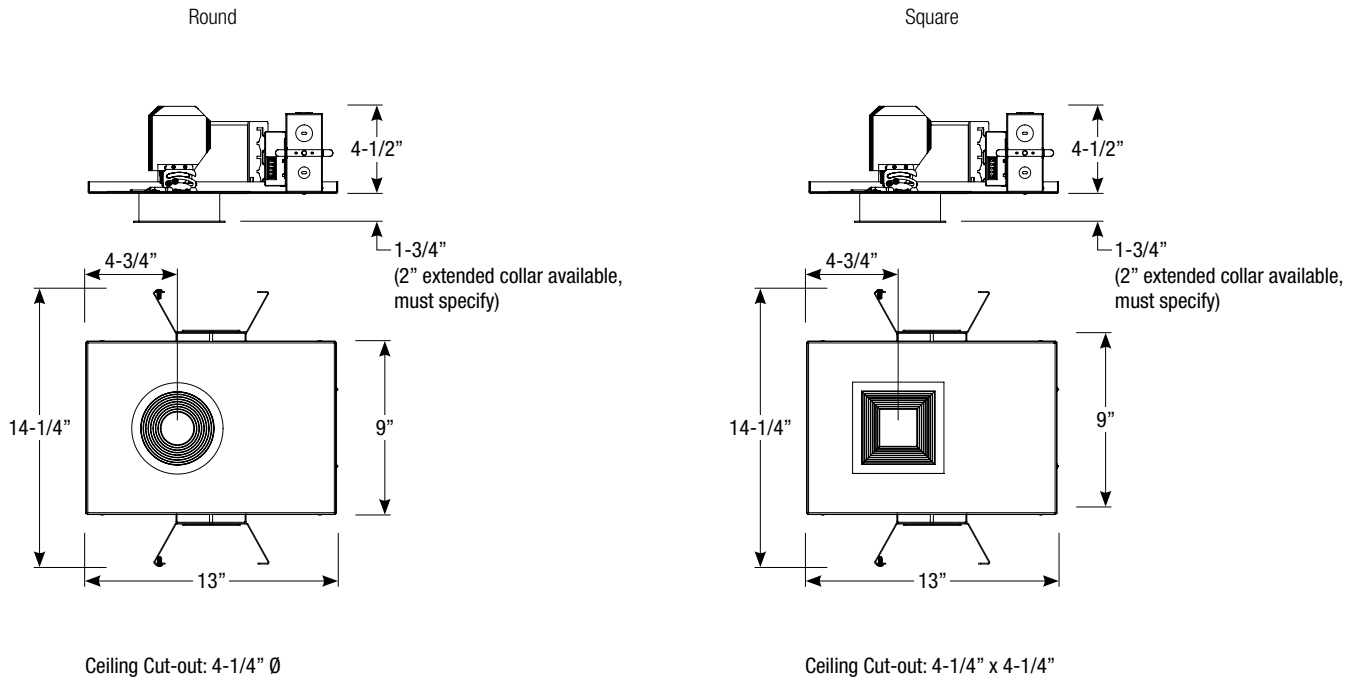
Type:

Project:

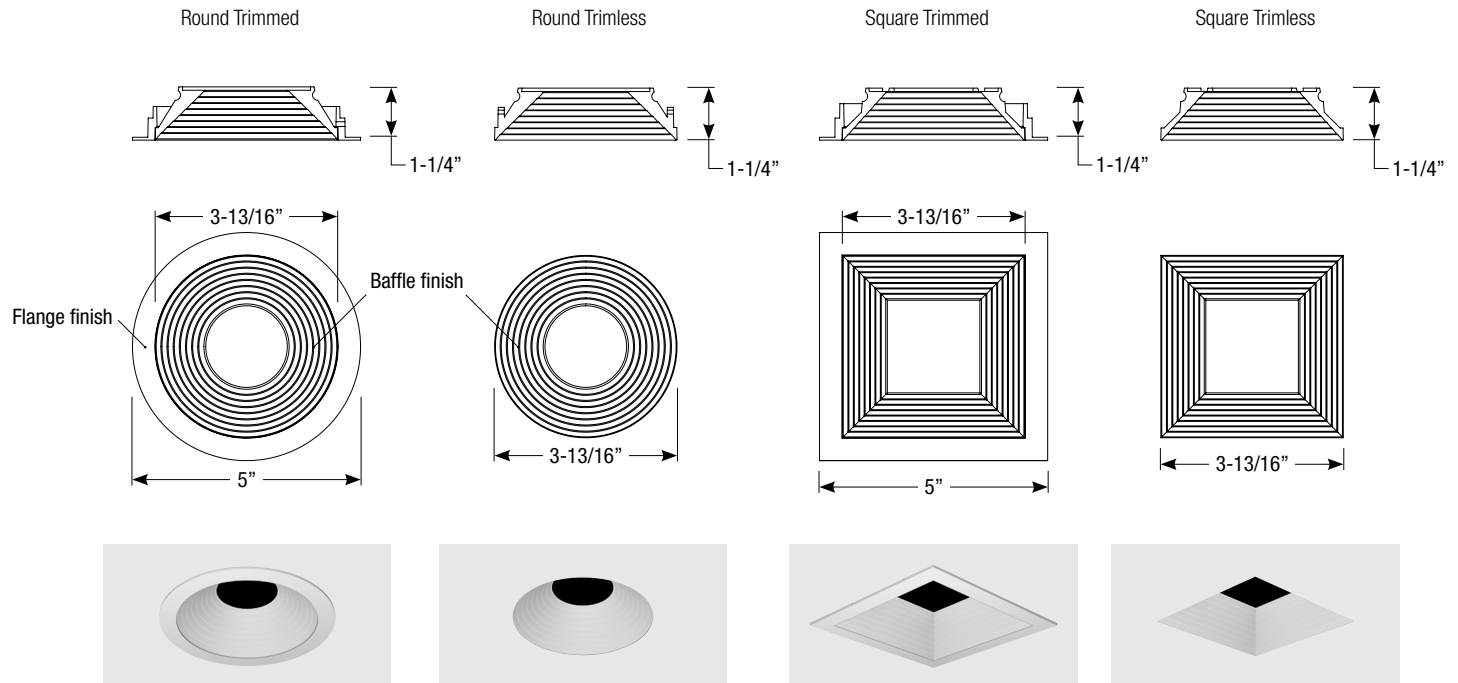
Date:

Notes:

### Housing Dimensions



### Trim Dimensions



Spec-00128 Revised 10/24/2022